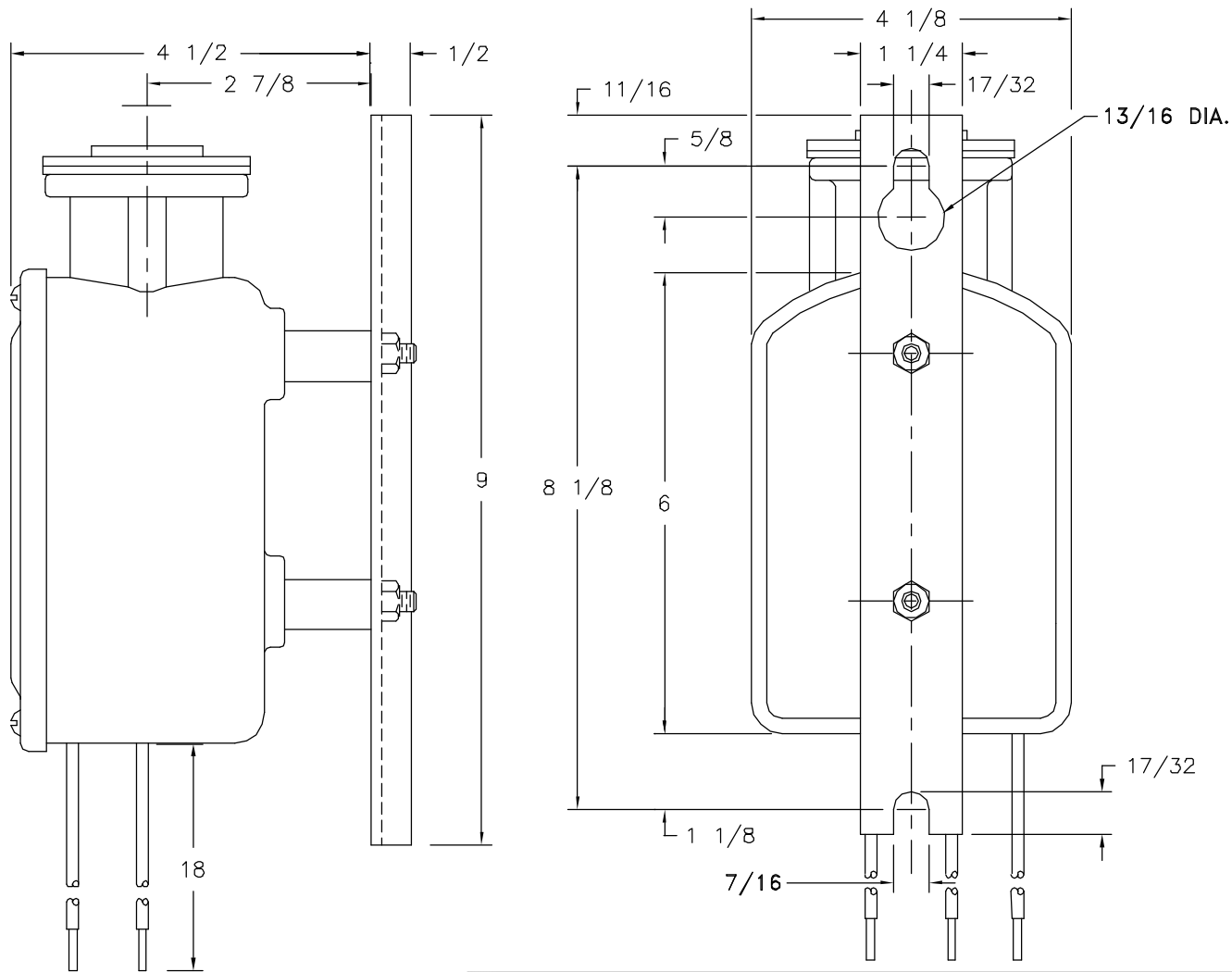


REV	LTR	DESCRIPTION	DATE
-----	-----	-------------	------



WEATHERPROOF CASE WITH MOLDED PHENOLIC BASE, PRESSED ALUMINUM COVER, EXTRUDED ALUMINUM HANGER, AND CAST ALUMINUM RECEPTACLE HOUSING FOR TYPE MR-WI RELAY.

MAYSTEEL LLC CLAIMS PROPRIETARY RIGHTS IN THE INFORMATION DISCLOSED HEREON. THIS DRAWING IS FURNISHED IN CONFIDENCE ON THE EXPRESS UNDERSTANDING THAT IT OR ANY REPRODUCTION THEREOF WILL BE USED SOLELY FOR THE MANUFACTURE OR PROCUREMENT OF PARTS TO BE FURNISHED TO MAYSTEEL LLC.

MATERIAL:	UNLESS OTHERWISE SPECIFIED DIMENSIONS ARE IN INCHES REMOVE BURRS AND SHARP CORNERS .010 MAX. ANGLES ±30° 3 PLACE DECIMALS ±.005 2 PLACE DECIMALS ±.01 FRACTIONS ±1/64		
	TITLE CASE DIAGRAM - FIG 80		
	DRAWN 4-3-95 GMM	APPROVED	SCALE 1/2

Maysteel Electric Utility Products & Enclosures		A
TITLE CASE DIAGRAM - FIG 80		
DRAWN 4-3-95 GMM	APPROVED	DWG NO BK-F80