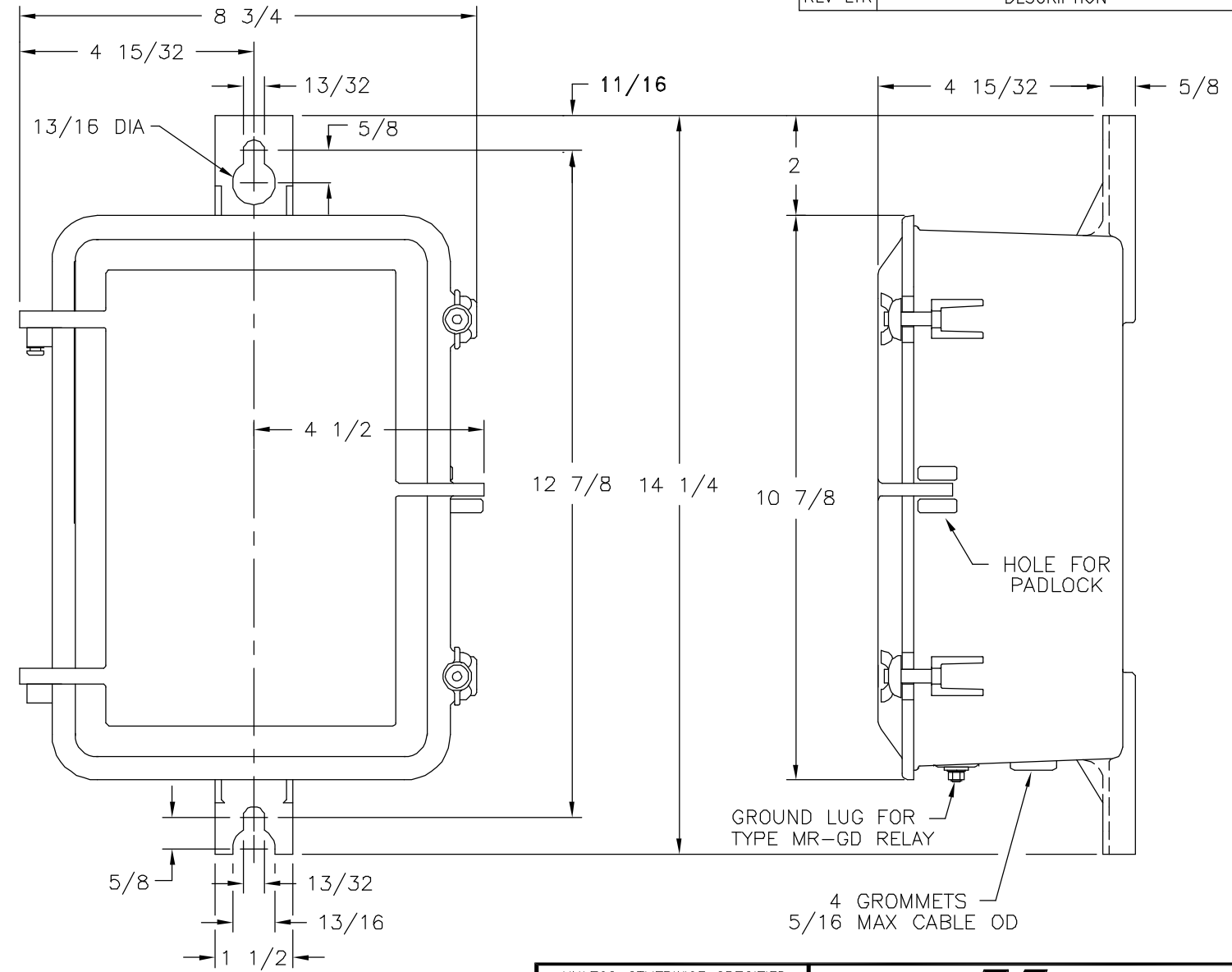


REV	LTR	DESCRIPTION	DATE
-----	-----	-------------	------



CAST ALUMINUM WEATHERPROOF CASE WITH HINGED COVER, AND HANGER FOR DIRECT POLE OR WALL MOUNTING FOR SINGLE POLE 30 AND 60 AMP RELAYS.

MAYSTEEL LLC CLAIMS PROPRIETARY RIGHTS IN THE INFORMATION DISCLOSED HEREON. THIS DRAWING IS FURNISHED IN CONFIDENCE ON THE EXPRESS UNDERSTANDING THAT IT OR ANY REPRODUCTION THEREOF WILL BE USED SOLELY FOR THE MANUFACTURE OR PROCUREMENT OF PARTS TO BE FURNISHED TO MAYSTEEL LLC.

UNLESS OTHERWISE SPECIFIED  
 DIMENSIONS ARE IN INCHES  
 REMOVE BURRS AND SHARP  
 CORNERS .010 MAX.  
 ANGLES ±30°  
 3 PLACE DECIMALS ±.005  
 2 PLACE DECIMALS ±.01  
 FRACTIONS ±1/64



MATERIAL:

TITLE  
**CASE DIAGRAM - FIG 40** **A**

DRAWN 4-4-95 GMM	APPROVED	SCALE 1/6	DWG NO DA-F40
---------------------	----------	--------------	------------------